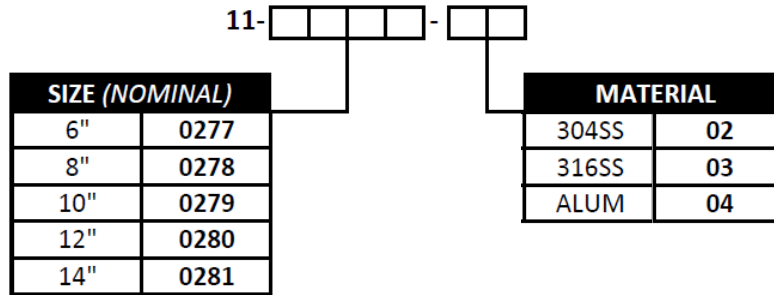


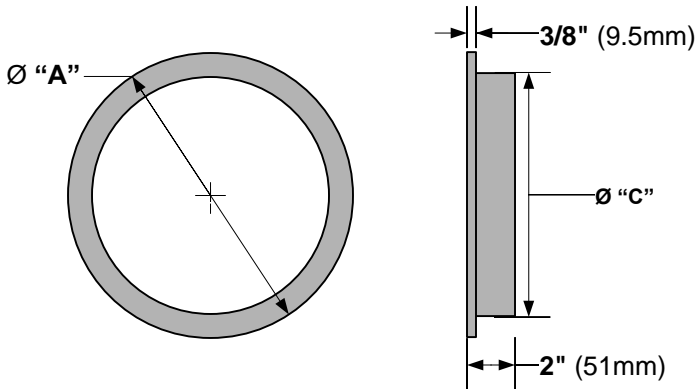
Companion Flanges for Round AccuValve® Sizes

Companion flanges provide a simple means for installing any round AccuValve® purchased with the flange (-F) option into standard duct work. The Companion flanges are designed to slip directly inside common spiral duct for easy field installation. This data sheet provides the general specifications for round valve companion flanges and is intended to be used in conjunction with the standard AccuValve® submittal documentation.


MODEL CODE



DIMENSIONS



SIZE (nominal)	"A" FLANGE O.D.		"C" NECK O.D.	
	inches	mm	inches	mm
6	7.63	194	5.87	149
8	9.68	246	7.87	200
10	11.68	297	9.87	251
12	13.68	347	11.87	301
14	15.68	398	13.87	325

 21 COMMERCE DRIVE DANBURY CT, 06810 Tel: 203-445-9991	SUBMITTAL DRAWING Companion Flange Detail for Round AccuValve®			
	Sold By:			
THIS DOCUMENT IS SUBJECT TO CHANGE WITHOUT NOTICE.	SIZE B	ECN NO 2409	DWG NO COMP FLANGE DETAIL – ROUND AV	REV D
THIS DOCUMENT OR THE CONTENTS THEREOF SHALL NOT BE MODIFIED WITHOUT PRIOR WRITTEN PERMISSION BY ACCUTROL LLC.	SCALE NTS	REV. DATE: 09-12-18	SHEET 1 OF 1	