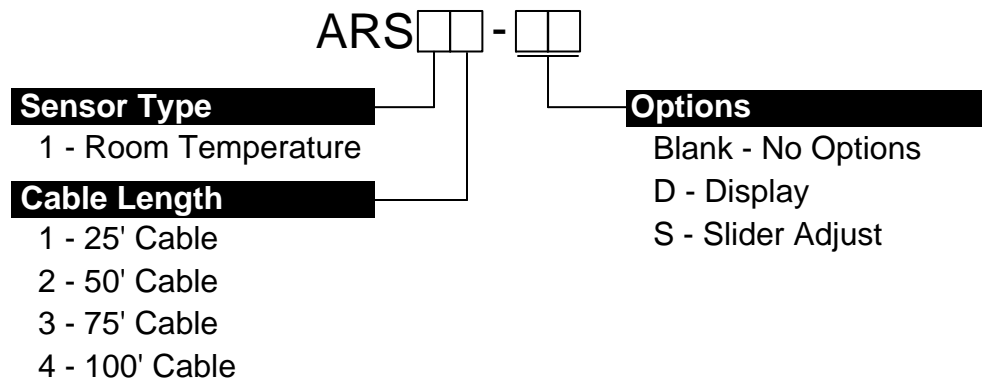


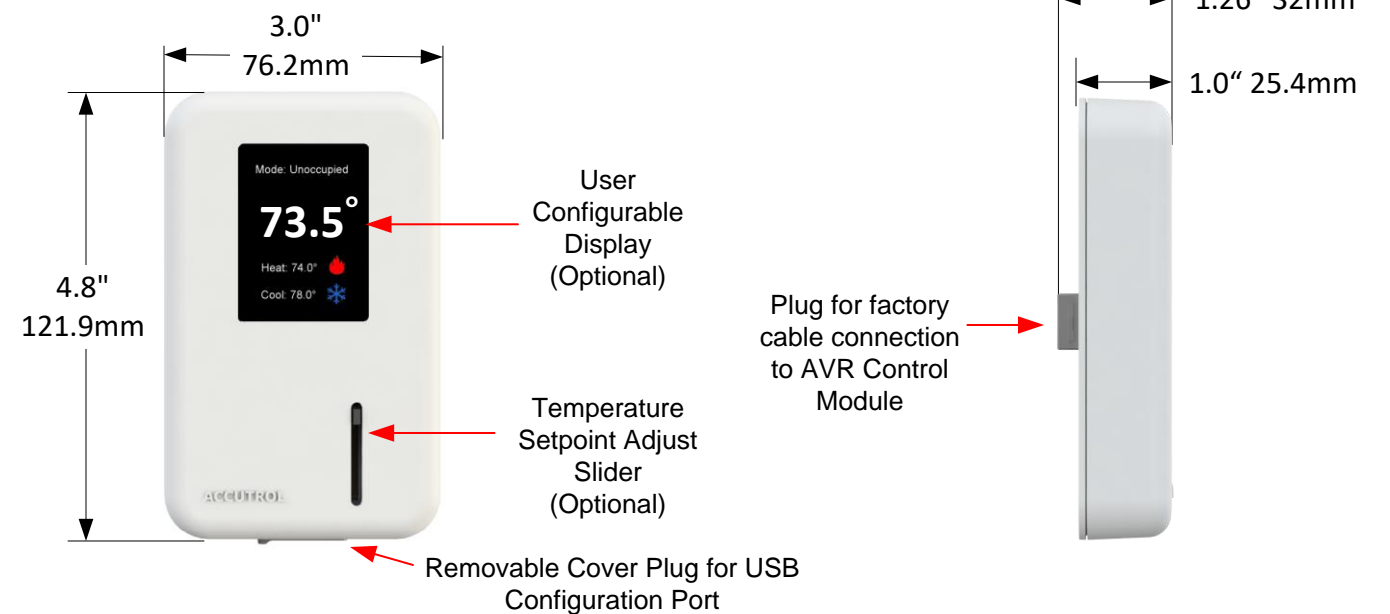
ACCUTROL ROOM SENSOR SUBMITTAL

The ARS1 is a wall-mounted air temperature sensor that is designed to be used exclusively with the AVR AccuValve® airflow and temperature control system. The ARS1 provides precise measurement of the air temperature in the room being controlled by the AVR AccuValve. The ARS1 is provided with 2 mounting screws and a prefabricated factory-cable for connecting directly to the AVR Control Valve.



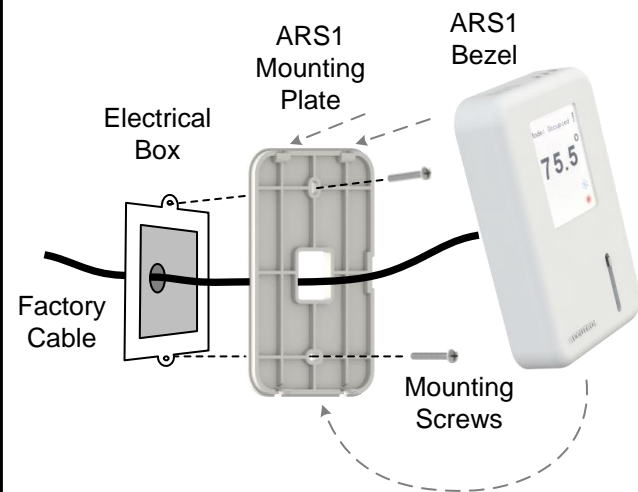
NOTE: If a longer cable is required, please contact factory.

DIMENSIONS & FEATURES:



INSTALLATION

- 1. Select Location:** The ARS should be located on an interior wall within the room which it is controlling. Do not install ARS in a location that receives; direct sunlight, drafts from supply diffusers, doors, windows, or near heat generating equipment.
- 2. Feed factory-cable** into the back of the electrical box and through the hole on the mounting plate.



- 3. Position the mounting plate** so the "up" indicator is pointing upwards and secure to the electrical box using the two screws provided. (Do not over tighten screws)
- 4. Plug the factory cable** into the RJ-45 connector located on the back of the ARS.
- 5. Install the bezel** onto the mounting plate by hooking to top of the bezel over the two tabs located on the top of the mounting plate then rotating the bottom of the bezel to the mounting plate until it snaps in place.
- 6. Plug the other end of the cable** into the AVR control module's device port.

SPECIFICATIONS

- Electrical:**
 Factory cable connected to the AVR provides all power and signal connections.
- Temperature Measurement:**
 Range: 32°F to +132°F (0°C to 56°C)
 Resolution: 0.02°F (0.01°C)
 Accuracy: ± 0.25°F (± 0.14°C)
- Environmental:**
 Operating Temperature: 32°F to +132°F (0°C to 56°C)
 Storage Temperature: -40°F to +165°F (-40°C to 74°C)
- Enclosure and Mounting Plate Material:**
 ABS Plastic, UL94 V-0, RoHS compliant
- Configuration Port:**
 Easily accessible USB Type C protected by removable rubber plug.
- Optional Display**
 2.27" (57.7mm) color graphics liquid crystal display with an LED backlight.
 Indicates room temperature, occupancy status and includes heating and cooling mode icons.
 Max displayed temperature is 99.5 degrees.
 Minimum display resolution is 0.5 degrees.
- Optional Slider**
 Adjust room temperature setpoint by a slide potentiometer from the ARS unit.
- Configuration Port**
 USB Type C protected by removable rubber plug.
 Connect to PC with the AccuValve Insight software.
 All configuration settings for the AVR are programmed through the AccuValve Insight software.