



# Room Temperature Sensor RTS100



## Laboratories, Life Sciences, Healthcare

- Room Temperature Sensor
  - Type II, 10K ohm Thermistor
- Available as a combination Room Temperature and Room Humidity Sensor
- Options include:
  - LCD Display
  - Setpoint Adjustment Slider
  - Momentary Override Switch
  - Humidity Sensor
- Used with Accutrol AC7000 Series Controllers
- Used with Accutrol HTC100/RTC100 Controllers\*
  - \*When controller is mounted remotely/Reference Selection Matrix on page 3
- Used with BAS Controllers

## Description

The Accutrol RTS100 Series includes wall mounted Room Temperature Sensors and combination Room Temperature/Humidity Sensors. Options include temperature setpoint adjustment slider as well as manual override switch where required. The RTS100 Series Sensors are designed to be used with Accutrol AC7000 Series Controllers, Accutrol HTC100/RTC100 Room Temperature Controllers and BAS Controllers. Please see the Selection Matrix on page 3.

## Features and Options

- 10K  $\Omega$  Type II thermistor
- Optional setpoint adjustment slider (warm/cool)
- Large LCD provides local indication of temperature as well as setpoint, setpoint adjust, override and humidity when ordered as options.
- Momentary override switch option can be configured as a separate output.
- Optional communication jack allows direct connection to the room controller.

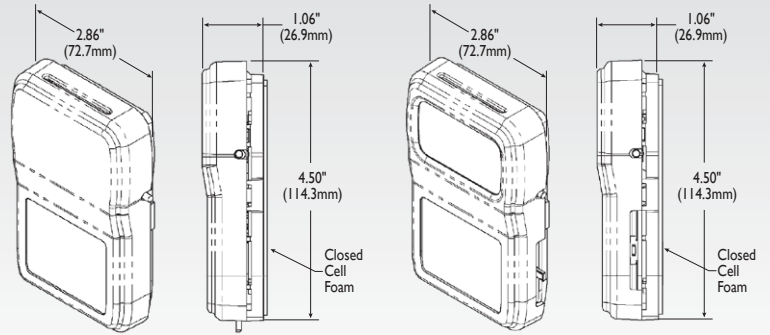
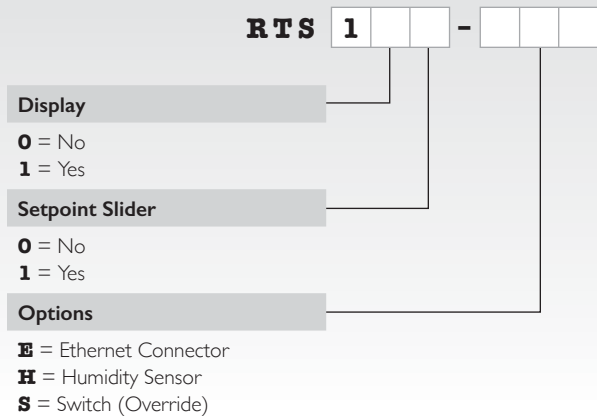
## Specifications RTS100 Temperature Sensor

ENVIRONMENTAL	
<b>Temperature</b>	32° to 122° F (0° to 50° C)
<b>Humidity</b>	0% to 95% non-condensing
PHYSICAL CHARACTERISTICS	
<b>Material/Rating</b>	ABS Plastic, UL 94, V-O
<b>Material Color</b>	Warm White
MOUNTING	
Standard 2"x4" J-box or drywall mount (screws provided)	
SENSING ELEMENT (TEMPERATURE)	
<b>Thermistor</b>	10K-2 ohm @ 25° C
<b>Accuracy</b>	±2%
AGENCY	
RoHS, CE	
POWER / POWER CONSUMPTION (LCD DISPLAY MODELS)	
<b>Power Required</b>	15 to 40VDC or 15 to 28 VAC* * Note: AC power requires a separate pair of shielded wires.
<b>Power Consumption</b>	7mA max DC; 17 VA max AC
LCD DISPLAY OPTION	
<b>Temperature Display</b>	°F Standard (can be set to °C in field)

## Specifications RTS100 Temperature/Humidity Sensor

ENVIRONMENTAL	
<b>Temperature</b>	32° to 122° F (0° to 50° C)
<b>Humidity</b>	0% to 95% non-condensing
PHYSICAL CHARACTERISTICS	
<b>Material/Rating</b>	ABS Plastic, UL 94, V-O
<b>Material Color</b>	Warm White
MOUNTING	
Standard 2"x4" J-box or drywall mount (screws provided)	
TEMPERATURE SENSOR	
<b>Thermistor</b>	10K-2 ohm @ 25° C
<b>Accuracy</b>	±2%
HUMIDITY SENSOR	
<b>Sensor</b>	Capacitive Polymer
<b>Accuracy</b>	±2% RH (10-90%) @ 25° C, Fully compensated
<b>Signal Output</b>	0 to 10VDC
AGENCY	
RoHS, CE	
POWER / POWER CONSUMPTION (LCD DISPLAY MODELS)	
<b>Power Required</b>	15 to 40VDC or 15 to 28 VAC* * Note: AC power requires a separate pair of shielded wires.
<b>Power Consumption</b>	74 mA max. / 0.1 VA max. for 0 to 10VDC output
LCD DISPLAY OPTION	
<b>Temperature Display</b>	°F Standard (can be set to °C in field)

### Room Temperature Sensor Ordering Guide



RTS100 / RTS101

RTS110 / RTS111  
(with display)

### Selection Matrix

Accutrol Model Code	Display (I)	Setpoint Slider (I)	OPTIONS			USE WITH		
			Ethernet Connector (E)	Humidity Sensor (H)	Switch (Override) (S)	BAS Controller	AC7000 Controller	RTC/HTC Controller
RTS100	*	*	*	*	*	✓	✓	✓
RTS100-E	*	*	✓	*	*	✓	✓	✓
RTS100-S	*	*	*	*	✓	✓	✓	*
RTS100-ES	*	*	✓	*	✓	✓	✓	*
RTS101	*	✓	*	*	*	✓	✓	*
RTS101-E	*	✓	✓	*	*	✓	✓	*
RTS101-S	*	✓	*	*	✓	✓	✓	*
RTS101-ES	*	✓	✓	*	✓	✓	✓	*
RTS110	✓	*	*	*	*	✓	✓	✓
RTS110-E	✓	*	✓	*	*	✓	✓	✓
RTS110-S	✓	*	*	*	✓	✓	✓	*
RTS110-ES	✓	*	✓	*	✓	✓	✓	*
RTS111	✓	✓	*	*	*	✓	✓	*
RTS111-E	✓	✓	✓	*	*	✓	✓	*
RTS111-S	✓	✓	*	*	✓	✓	✓	*
RTS111-ES	✓	✓	✓	*	✓	✓	✓	*
RTS110-H	✓	*	*	✓	*	✓	✓	✓
RTS110-EH	✓	*	✓	✓	*	✓	✓	✓
RTS110-HS	✓	*	*	✓	✓	✓	✓	*
RTS110-EHS	✓	*	✓	✓	✓	✓	✓	*
RTS111-H	✓	✓	*	✓	*	✓	✓	*
RTS111-EH	✓	✓	✓	✓	*	✓	✓	*
RTS111-HS	✓	✓	*	✓	✓	✓	✓	*
RTS111-EHS	✓	✓	✓	✓	✓	✓	✓	*