



# Duct Mounted Temperature Sensor DTSI00



## Laboratories, Life Sciences, Healthcare

- Duct Mounted Temperature Sensor
- Type III, 10K ohm Thermistor
- Used with Accutrol AC8000 Series Controllers
- Used with Accutrol AVR Series AccuValve

The Accutrol DTS100 Duct Mounted Temperature Sensor is designed to be used with the AC8000 series controllers as well as the Accutrol AVR Series AccuValve.

The DTS100 is a duct mounted series 10K Ohm, Type III thermistor designed for measurement of duct temperature in the discharge of a reheat coil or in the return/exhaust of a space.

## Specifications

### CONNECTIONS

Duct mount (mtg. flange)

### MATERIAL

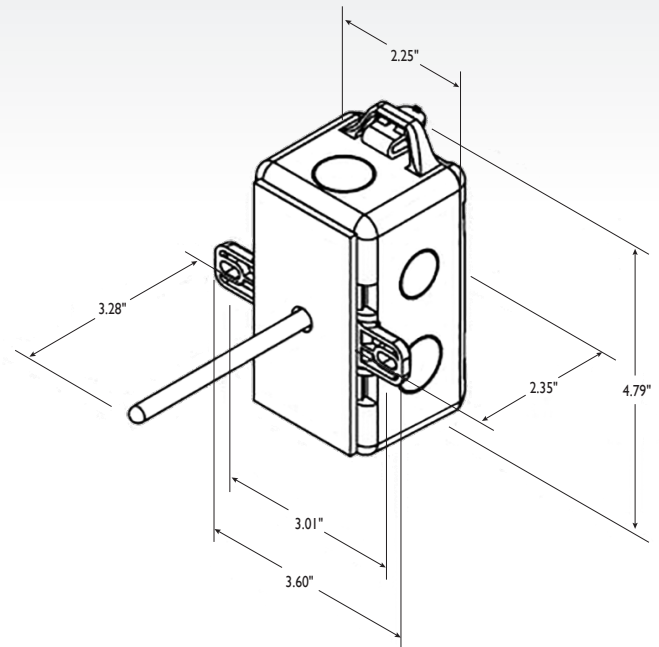
Flame retardant plastic

### SENSOR

<b>Type</b>	Type III thermistor
<b>Accuracy</b>	$\pm 0.36^{\circ}\text{ F}$ ( $\pm 0.2^{\circ}\text{ C}$ )
<b>Resistance</b>	10,000 ohm at 77° F (25° C)
<b>Operating Temperature Range</b>	-4° to 221° F (-20° to 105° C)

## Installation

Drill a 3/8" hole in the duct and insert the probe through the hole until the foam pad is tight to the duct. Then, insert (2) screws through the mounting holes in flange and tighten them until the unit is held firmly to the duct. Use of 18 to 20 AWG twisted pair or shielded cable is recommended.



Your representative is:

