

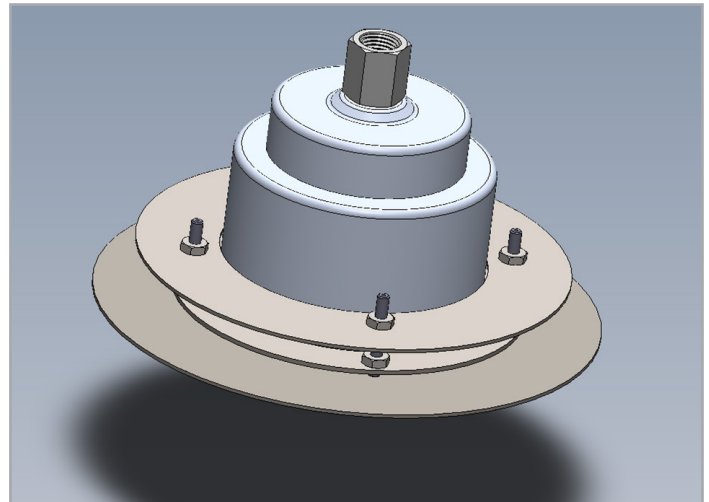


Static Pressure Probe

SPP7800-S

Features

- Engineered for Critical Environments
- Low Signal to Noise Ratio
- +/- 1% accuracy of Actual Pressure
- Recessed Ceiling Mounting Kit
- Compact Design
- Durable 316 SS



Description

The SPP7800-S is designed to suppress minor room or space pressurization pulsations, providing a steady accurate representation of the actual pressure in a critical space. The output stability of this probe is due to the multiple perpendicular pressure ports

making it impervious to cross drafts, combined with the averaging chamber, producing an instantaneous pressure signal. This pressure signal can be used as a controller input for differential pressure indication, or for a control signal to a room pressure controller.

Dimensional Data

