

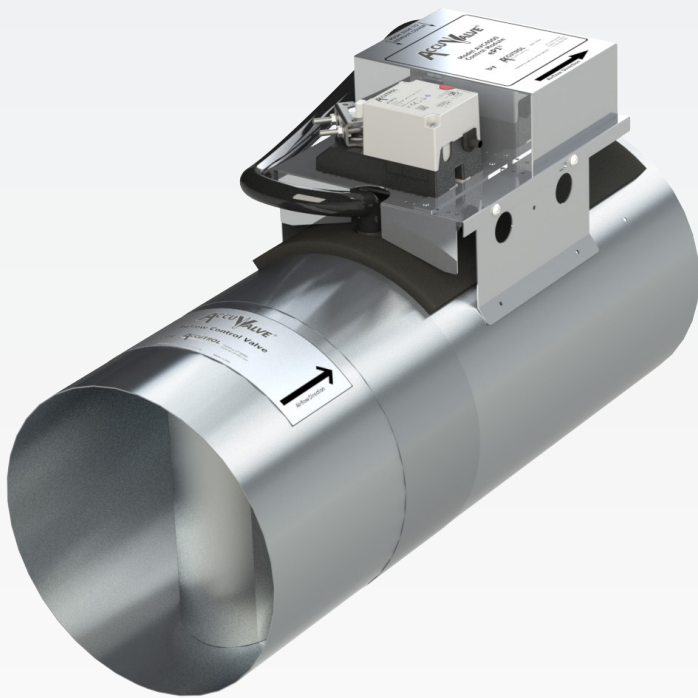


Cage Rack Valve

AVC6000/AVC4000/AVC2000

US Patents 6,991,177 & 7,543,759

Specially Made for Vivarium Cage Racks



Innovative features of the AVC Cage Rack Valve!

- Intuitive Graphical User Interface Dashboard
- Software Selectable I/O
- BACnet® is Software Selectable (AVC6/AVC4 series)
- Bluetooth® Configuration Optional (AVC6/AVC4 series)

Plus, these standard AccuValve features...

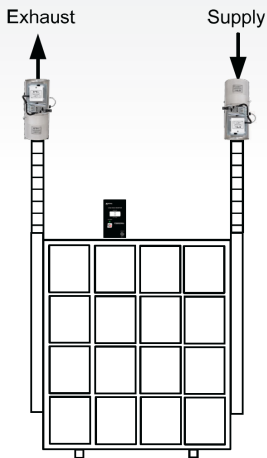
- Exceptionally Low Pressure Drop
 - Design System Pressure – as low as 0.05" (12.5 Pa)
- Electronic Pressure Independence
- Fast Speed of Response
- True Airflow Feedback
- No Straight Run Requirements
- Linear Control Response
- High Accuracy and Turndown
- Can be Mounted in Any Position
- Native BACnet® MS/TP (AVC6/AVC4 series)
- 5-Year Manufacturer Warranty

Manufactured in the USA.



The Accutrol AVC is an electronically pressure independent AccuValve®. It takes the revolutionary design of the exceptionally low pressure drop AccuValve and incorporates airflow control into the electronics.

The AVC provides true airflow measurement to ensure proper airflow into and out of vivarium cage racks. Instead of guessing whether the proper flows are being maintained, the AVC ensures that they are.



Know Your Airflow Rates

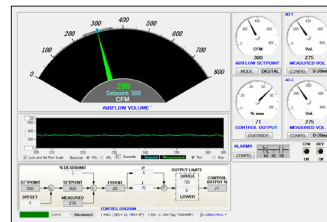
Vivarium cage racks are a large investment for a research facility. Knowing the airflow rates is critical to protect that investment. It is imperative that the environment within each rack is maintained at proper volumetric airflow rates.

True Airflow Sensing

The AccuValve cage rack valve provides true airflow sensing and an airflow controller built in to provide a technologically advanced electronic pressure independent airflow control system. In addition, the controller includes native BTL listed BACnet enabling your BAS to read and trend airflow rates and many other parameters at the front end. This allows you to effectively manage your system to ensure its proper operation.

Optional Airflow Monitor

The AVC6000 is also available with an optional airflow monitor that can be mounted in the vivarium. This shows the airflow set point as well as actual measured airflow. The monitor can be provided with a set point adjustment so changes can be made without accessing the valve.



Intuitive Insight Software

If changes need to be made to the controller you can use Accutrol's Insight software to access the controller through a simple, user-friendly interface.

Overview

- Designed for critical environments
- Measures true airflow
- No straight-run requirement
- Exceptionally low pressure drop operation
 - Design system pressure - as low as 0.05" (12.5 Pa)
- High accuracy and turn-down with linear response
- Can be mounted in any position
- Controller/Actuator can be in an inverted position
- Integral access port
- No maintenance required
- 5-year manufacturer warranty standard

Benefits

- Plug and play for cage rack
- True closed-loop airflow control
- Airflow set point and value available at front end via BACnet MS/TP (AVC6/AVC4 series)
- Optional local airflow monitor with alarm (AVC6 series)
- Demand based static pressure reset control "ready"
- Meets ASHRAE STD 90.1 without additional hardware
- Each rack can be set up as tracking pair
- USB user interface for field configuration
- Bluetooth® Configuration Optional (AVC6/AVC4 series)
- Intuitive graphical user interface dashboard

Compare Technologies

Key Criteria	AccuValve®	Compact Cage Rack Venturi
Pressure drop	<0.3" Maximum; typically < 0.2"	>0.6" Minimum; typically >1.25"
Accuracy (airflow)	+/-5% of reading or 5 CFM	+/-10% of reading or 5 CFM
Active airflow measurement	✓	✗
Closed loop control	✓	✗
Local airflow monitor available	✓	✗
Local alarm capable	✓	✗
Available in SS construction	✓	✗
Native BACnet®	✓	✗
Operates without straight duct runs	✓	✓
Built in inspection door	✓	✗
Can be mounted in any plane	✓	✗
ASHRAE static pressure reset ready	✓	✗
Critical parts out of the air stream	✓	✗
Up to date electronic control	✓	✗
Bluetooth® Configuration Optional	✓	✗

***Don't risk your vivarium investment with outdated mechanical valves.
The AccuValve Cage Rack Valve delivers sustainable, 21st century design.***

Operating Pressure Selector

Valve Size (mm)	Eng Units	Airflow Range								
		Minimum	Maximum Design Airflow							Maximum
6" (152) without reducers	CFM	30	69	143	174	206	230	254	315	330
	L/S	14	33	67	82	97	108	120	149	156
	CMH	51	117	243	296	350	391	432	535	561
Operating Pressure	"W.C.	< 0.01	0.025	0.1	0.15	0.2	0.25	0.3	0.45	
	Pa	< 2.5	6.25	25	37.5	50	62.5	75	112.5	

BEST ← ————— → GOOD
Optimum Energy Efficiency

* Minimum operating pressure when tested in accordance with ANSI/ASHRAE 130-2008

**For further assistance in making your AccuValve selections, please refer to the AccuValve Selection Guide for Operating Pressure.
An AccuValve selection tool for iPhone, iPad and Android devices is also available to assist with AccuValve selections.**

Specifications

Please reference individual specification sheets for the AVC6000, AVC4000 and AVC2000 AccuValves.

Ordering Guides

Please see the following page for Ordering Guides.

Your representative is:



AVC Cage Rack AccuValve® Ordering Guide



AVC Series Models

- 6 = AVC6000
- 4 = AVC4000
- 2 = AVC2000

Valve Housing Material

- 2 = 304SS, 20 Gauge
- 3 = 316SS, 20 Gauge
- 4 = Aluminum, 16 Gauge

Size (see diagram below)

- 06 = 6" Diameter

Actuator Type

AVC6000 Series Options

- 03 = Fail Last Position 2-10V (high speed)
- 05 = Fail Safe Position 2-10V (high speed)
- 07 = Fail Last Position 2-10V (standard speed)

AVC4000 Series Options

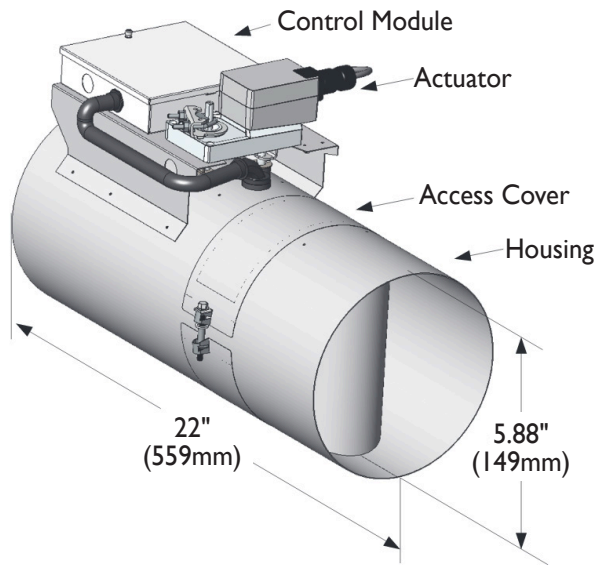
- 17 = Fail Last Position 2-10V (standard speed)

AVC2000 Series Options

- 17 = Fail Last Position 2-10V (standard speed)

Options

- A = AccuNet (AVC6 series only)
- F = Flanges
- I = Insulation
- W = Wireless Blue Tooth Configuration (AVC6 and AVC4 series)



AFM Cage Rack Remote Airflow Monitor Ordering Guide (AVC6000 series only)

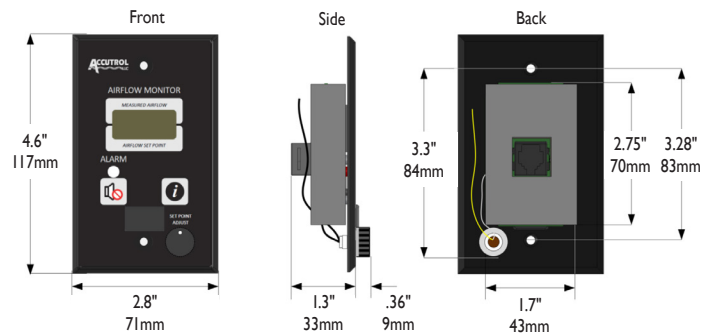


Model

- 2 = AVC Air Flow Monitor and Alarm
- 3 = AVC Air Flow Monitor and Alarm with Setpoint Adjustment

Cable

- 000 = No Cable
- 025 = 25' Plenum Rated Cable
- 050 = 50' Plenum Rated Cable
- 075 = 75' Plenum Rated Cable
- 100 = 100' Plenum Rated Cable



Duct Transition Ordering Guide



Material

- 1 = Galvanized
- 2 = 304SS

Valve Side

Duct Side

