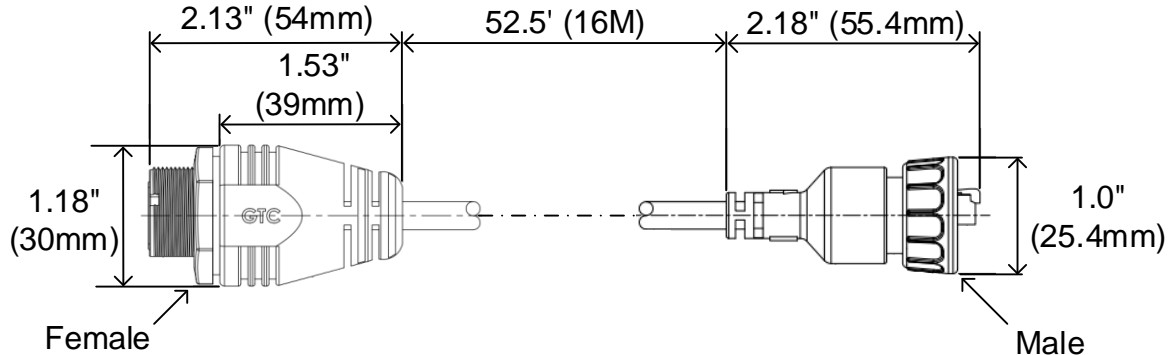


Weatherproof Extension Cable

The weatherproof extension cable is intended for applications where the standard outdoor-rated cables provided with the Vortek G3 are not long enough to connect from the transmitter to the probe sensor.

Part Number: 23-0115

Specifications:



Ratings:

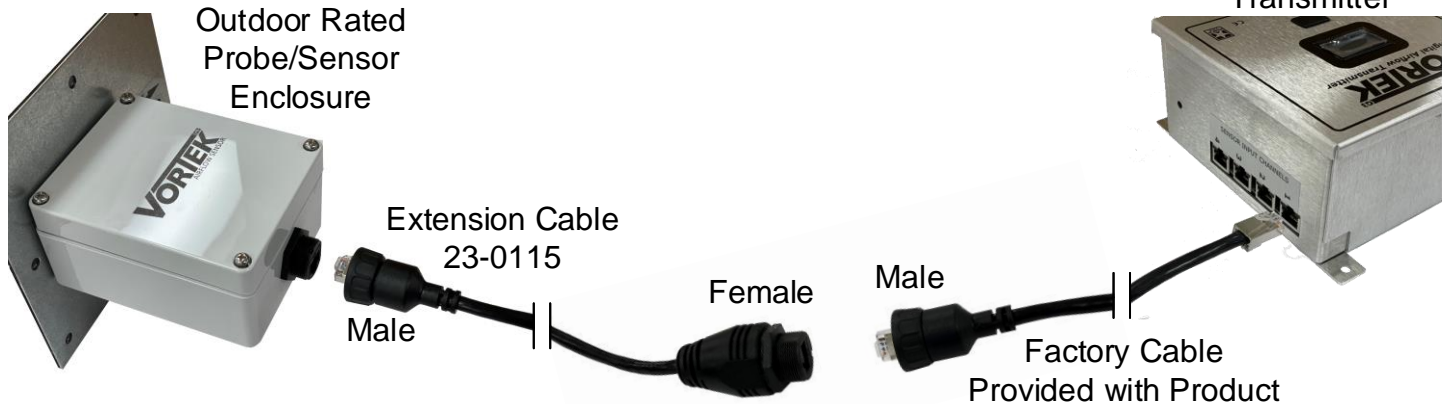
Waterproof Rating: IP67

RoHS Compliant

Operating temperature Range: -40° to 80°C (-40° to 176°F)

Cable shield is terminated to EMI connector shell

Installation:



- 1 – Insert the male end of the factory weatherproof cable into the female end of extension cable, push in and secure by tightening the screw nut.
- 2 – Insert male end of the extension cable to the probe/sensor electronics enclosure connector, push in and secure by tightening the screw nut.

⚠ Note: If cable is to be run through conduit, be sure to size the conduit to accommodate the cable connectors.



21 COMMERCE DRIVE
DANBURY CT, 06810
Tel: 203-445-9991

SUBMITTAL DRAWING Weatherproof Extension Cable - VorTek

Sold By:

THIS DOCUMENT IS SUBJECT TO CHANGE WITHOUT NOTICE.

SIZE

A

ECN NO

2725

DWG NO

Weatherproof Extension Cable - VorTek

REV

B

THIS DOCUMENT OR THE CONTENTS THEREOF SHALL NOT BE MODIFIED WITHOUT PRIOR WRITTEN PERMISSION BY ACCUTROL LLC.

SCALE

NTS

REV. DATE: 7-22-21

SHEET

1 OF 1